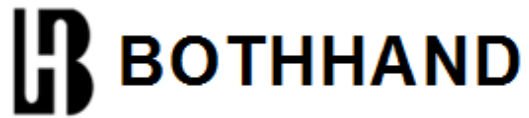
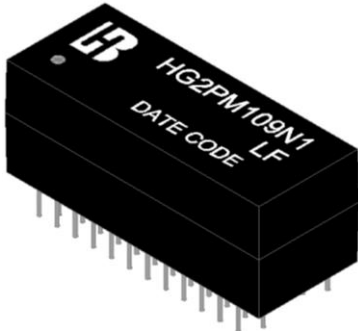


HG2PM109N1 LF
DIP 1000 BASE-T Dual Port Discrete
LAN Magnetics



Feature



- Complying with IEEE 802.3ab standard for 1000BASE-T , full duplex applications.
- Supports 8 pairs of category 5 UTP cable.
- Cable interface for isolation and low common mode emissions.
- POE applications with 720mA current capability.
- Complying with ROHS requirements.
- Operating temperature range: 0°C to +70°C.
- Storage temperature range: -25°C to +85°C.

Electrical Specifications @ 25°C

Part Number	Turns Ratio (±5%)		OCL (uH Min) @100KHz/0.1V with 8mA DC Bias	L.L (uH Max)	Cw/w (pF Max)	DCR (Ω Max)	HI-POT
	TX	RX					
HG2PM109N1 LF	1CT:1CT	1CT:1CT	350	0.5	28	1.2	AC1500V/1mA

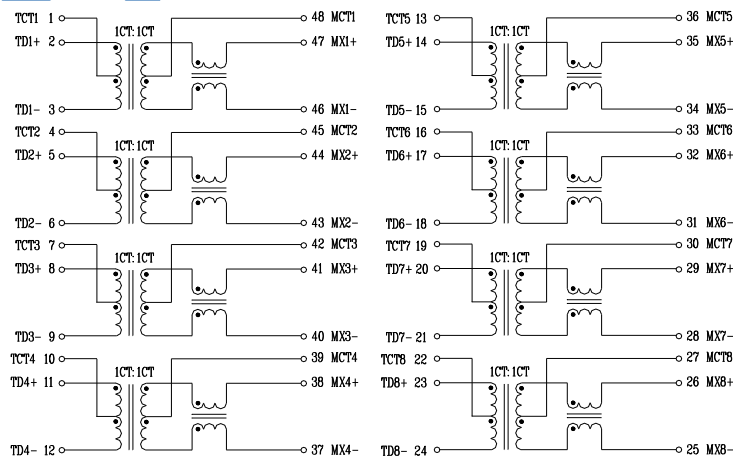
Continue

Part Number	Insertion Loss (dB Max)	Return Loss (dB Min) @ Load 100Ω				
		1-100MHz	1-30MHz	40MHz	50MHz	60-80MHz
HG2PM109N1 LF	-1.0	-18	-16	-14.08	-12.5	-10

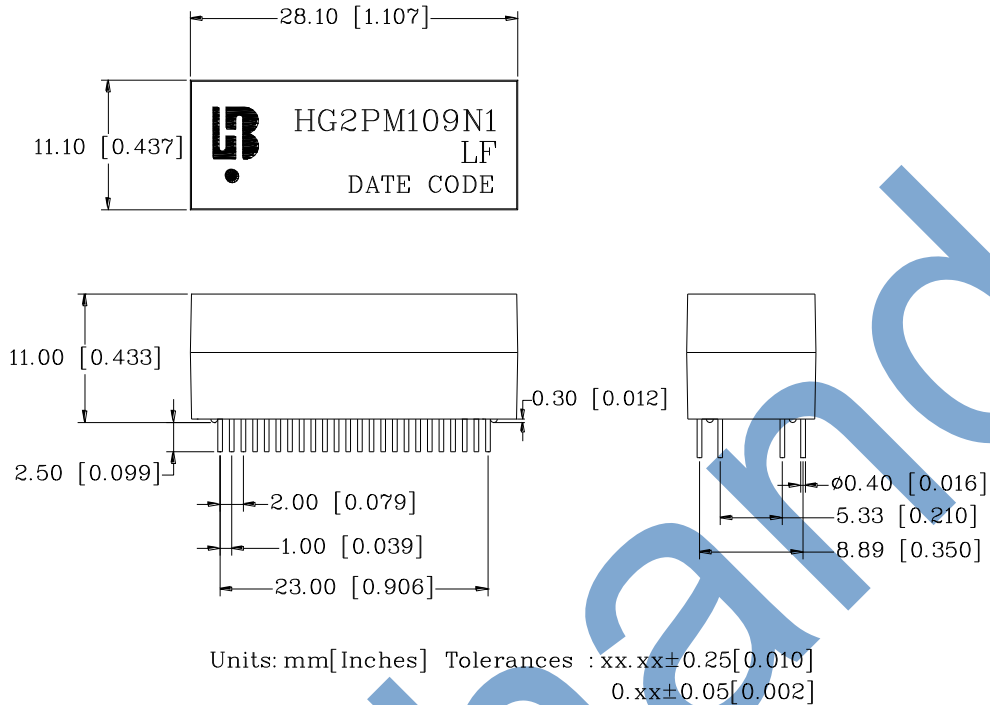
Continue

Part Number	Cross talk (dB Min)			DCMR (dB Min)		
	30MHz	60MHz	100MHz	30MHz	60MHz	100MHz
HG2PM109N1 LF	-40	-35	-30	-43	-37	-33

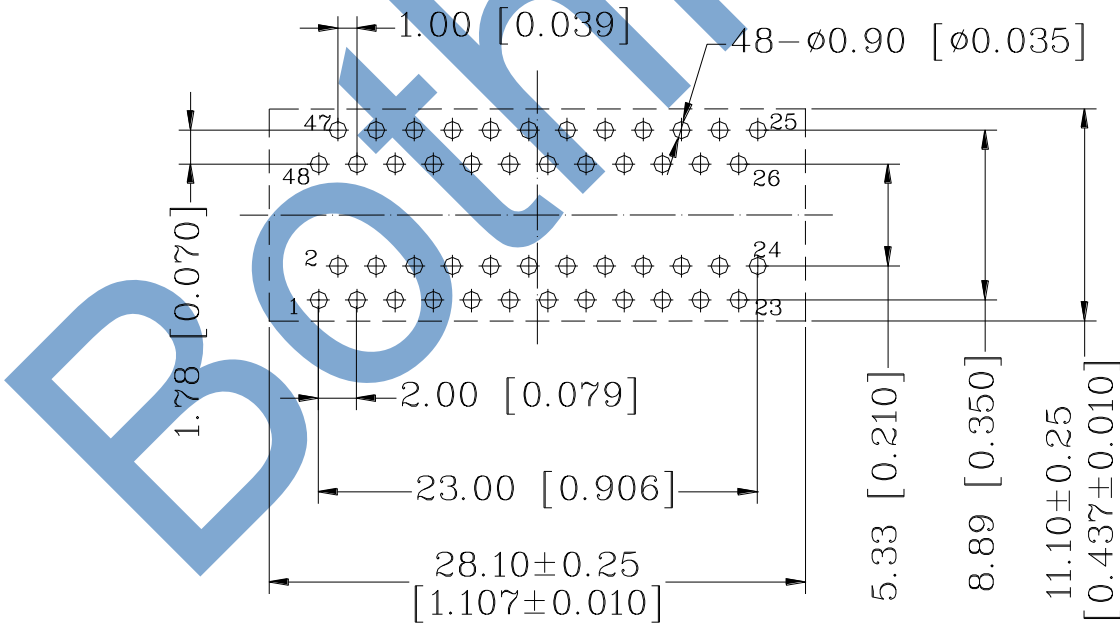
Schematic



Mechanical

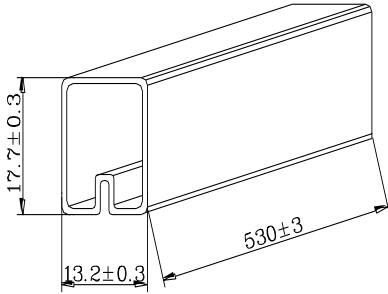


PCB Layout mounting Hole (Top View)

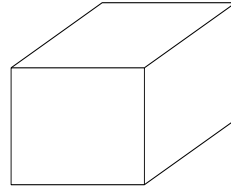


Unless otherwise specified,
 all dimension tolerance are: ± 0.08 [± 0.003]

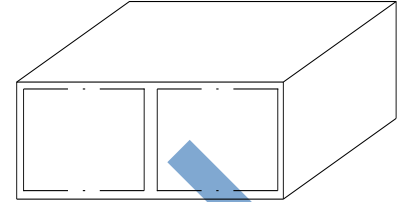
TUBE PACKAGE



TUBE



INNER BOX: 567x135x125



OUTER CARTON: 598x287x150

1. TUBE=18 PCS
2. INNER BOX=48TUBE= $48 \times 18 = 864$ PCS
3. OUTER CARTON=2 INNER
CARTON= $864 \times 2 = 1728$ PCS