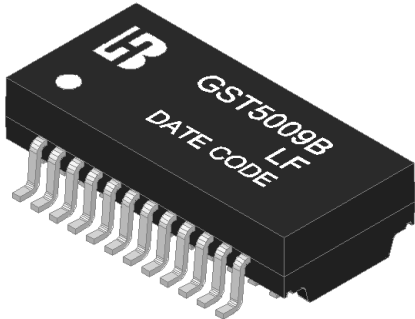


Feature



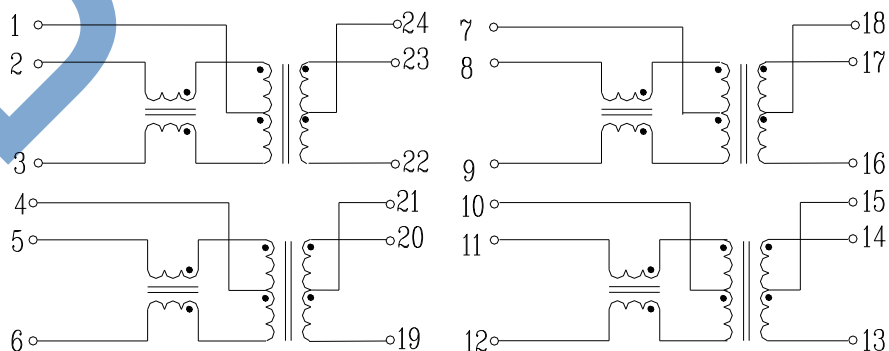
- Designed for long haul gigabit Ethernet 1000 BASE-T, full duplex applications.
- Supports 4 pairs of category 5 UTP cable.
- Cable interface for isolation and low common mode emissions.
- Complying with IEEE 802.3ab standard for 1000 BASE-T.
- Complying with ROHS & Halogen Free requirements.
- Operating temperature range: 0°C to +70°C.
- Storage temperature range: -25°C to +85°C.

| Electrical Specifications @ 25°C | | | | | | | |
|----------------------------------|-------------------|---------|--|-----------------|------------------------------|----------------|-------------|
| Part Number | Turns Ratio (±5%) | | OCL (uH Min) @100KHz/0.1V with 8mA DC Bias | L.L (uH Max) | C _{www} (pF Max) | DCR (Ω Max) | HI-POT |
| | TX | RX | | | | | |
| GST5009B LF | 1CT:1CT | 1CT:1CT | 350 | 0.5 | 28 | 1.2 | AC1500V/1mA |

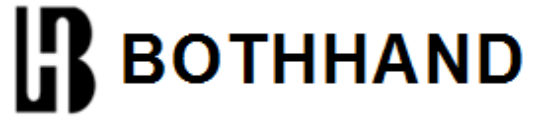
| Continue | | | | | | |
|-------------|----------------------------|-------------------------------------|---------|--------|-------|----------|
| Part Number | Insertion Loss (dB Max) | Return Loss (dB Min) @ Load 100Ω | | | | |
| | | 1-100MHz | 1-30MHz | 40MHz | 50MHz | 60-80MHz |
| GST5009B LF | -1.0 | -18 | -16 | -14.08 | -12.5 | -10 |

| Continue | | | | | | | |
|-------------|------------------------|-------|--------|-----------------|------------------|-------|--------|
| Part Number | Cross talk (dB Min) | | | CMR (dB Min) | DCMR (dB Min) | | |
| | 30MHz | 60MHz | 100MHz | 1-100MHz | 30MHz | 60MHz | 100MHz |
| GST5009B LF | -45 | -40 | -35 | -30 | -40 | -35 | -30 |

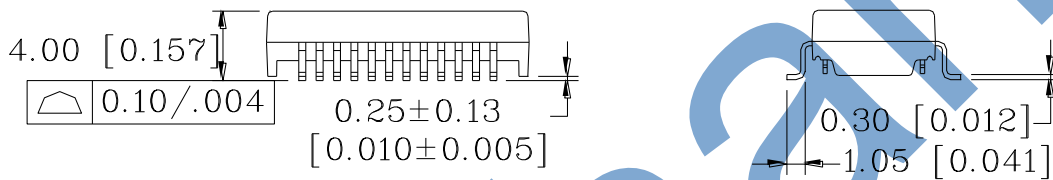
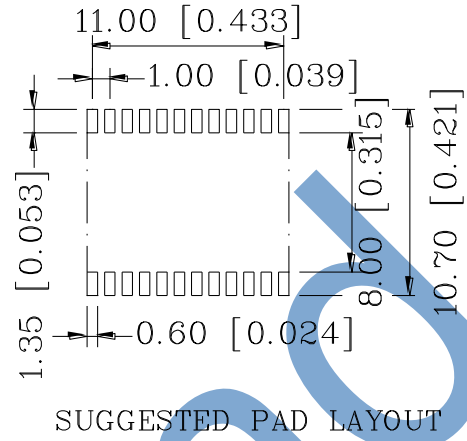
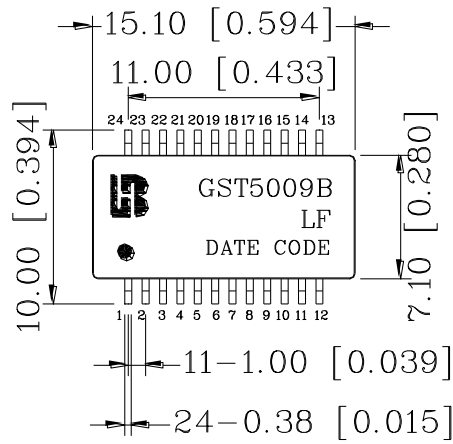
Schematic



GST5009B LF
SMD 1000 BASE-T Single Port Discrete
LAN Magnetics

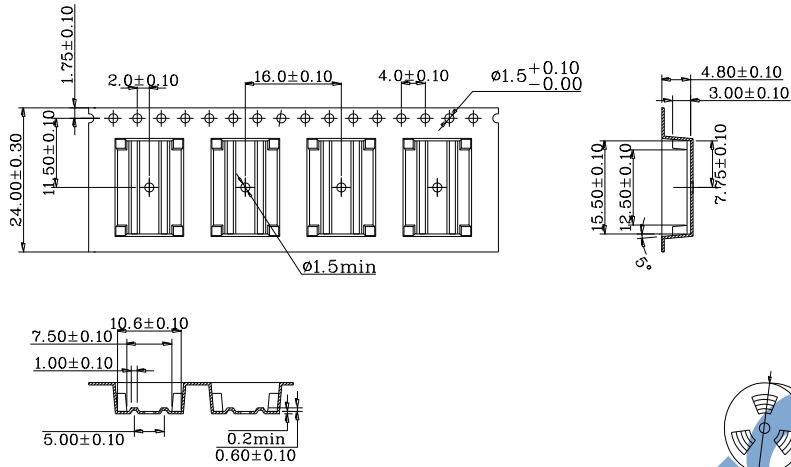


Mechanical

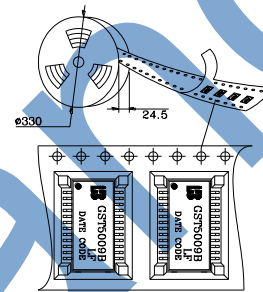


Units: mm[Inches] Tolerances: xx.xx±0.25[0.010]
 0.xx±0.05[0.002]

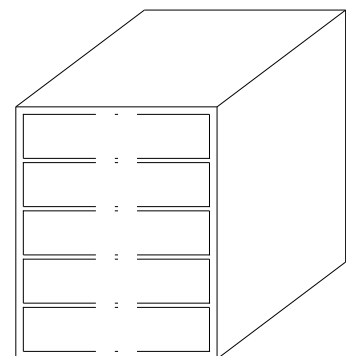
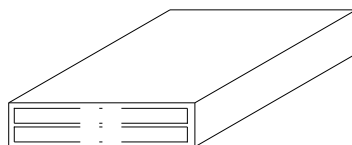
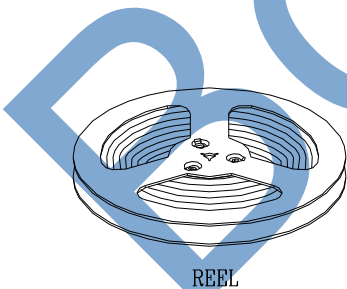
REEL PACKAGE



1. 10 sprocket hole pitch cumulative tolerance ±0.20
2. Material : Black Anti-Static polystyrene.
3. All dimensions meet EIA-481-3 requirements
4. Thickness : 0.40±0.05
5. Component load per 13" reel : 780pcs
6. Carrier camber is within 1 mm in 250 mm
7. Packing length per 22" reel : 41.5Meters



CARTON PACKAGE



1. 1 Reel=780PCS
2. 1 INNER BOX=2 Reel=1560 PCS
3. 1 OUTER CARTON=5 INNER BOX=5*1560=7800 PCS